

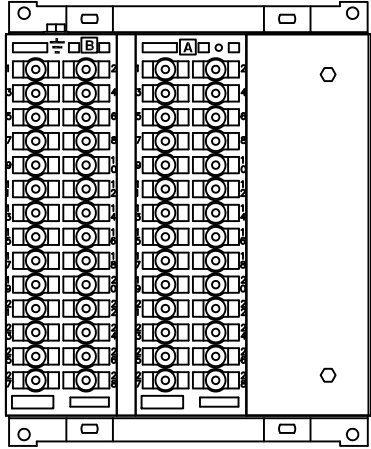
1 2 3 4 5 6 7 8



IF IN DOUBT ASK
DO NOT SCALE

ABBREVIATIONS	
I	CURRENT INPUTS
BI	BINARY INPUTS
BO	BINARY OUTPUTS
CO	CHANGE OVER BINARY OUTPUT CONTACTS
NO	NORMALLY OPEN BINARY OUTPUT CONTACTS
NC	NORMALLY CLOSED BINARY OUTPUT CONTACTS

COMMUNICATIONS IDENTIFICATION	
COM1	RS485 (ON BLOCK 'B' TERMINALS 14,16,18 & 20)
COM2	USB TYPE 'B' PORT (ON RELAY FRONT LABEL)



RELAY VIEWED FROM REAR

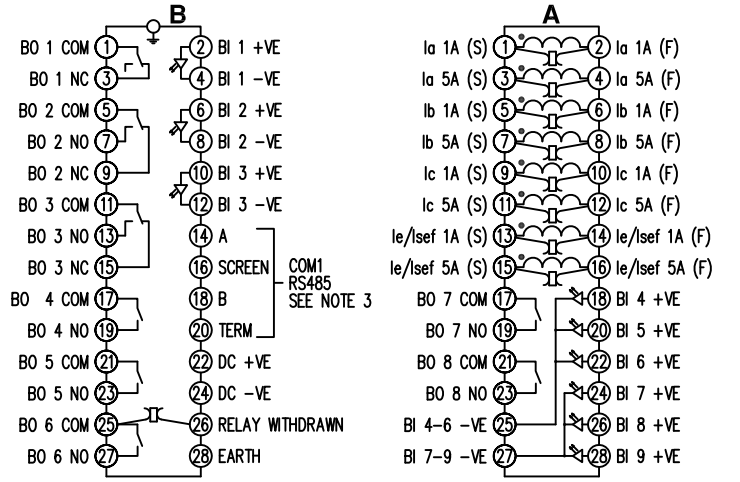
NOTES

- TERMINALS RECOMMENDED ARE PRE-INSULATED & MUST BE CRIMPED USING APPROVED TOOLING. AMP PIDG OR PLASTI GRIP FUNNEL ENTRY (RING TONGUE) FOR M4 FIXING STUD.

SUPPLIER	PART NUMBER	CABLE SIZE
AMP	342103	0.25-1.6mm ²
AMP	342143	1.0-2.6mm ²

OR ANY OTHER MANUFACTURERS EQUIVALENT TERMINAL.
- FOR OUTLINE & PANEL DRILLING, SEE 2995X10006 (A4).
- CONNECTIONS TO THIS COMMUNICATIONS FACILITY IS BY SCREENED, TWISTED PAIR CABLE, ON SITE. WHEN WIRING OTHER FACILITIES ENSURE THAT THESE TERMINALS ARE NOT OBSCURED BY OTHER WIRE RUNS.
- CONTACTS SHOWN THUS ARE INTERNAL RELAY CASE ASSEMBLY AND CLOSE WHEN THE RELAY CHASSIS IS WITHDRAWN FROM THE CASE.

**FOR INFORMATION ONLY
UNCONTROLLED COPY
NOT SUBJECT TO UPDATE**



COMMS
BLANKING
PLATE

MATERIAL:

Dimensions in millimetres : Surface texture in micrometres.
 Machine where marked ✓
 For explanation of dimensions, tolerances, notes etc. see B.S.308.
 Limit on untoleranced unmachined dimensions ± _____
 Limits on untoleranced machined dimensions to B.S.4500;
 i.e. up to 6±0.1; over 30 to 120±0.3; over 315±0.8;
 over 6 to 30±0.2; over 120 to 315±0.5;
 General unmachined angular tolerance ± _____

Finish: _____
 Treatment: _____

Title:
 TERMINAL ID & WIRING DIAGRAM FOR RM PLATFORM
 (4I,9BI,2CO,5NO,1NC,RS485) E6 CASE

SIEMENS PROTECTION DEVICES LTD.

First used on: _____
 Similar Articles: _____
 Supersedes: _____

Original Scale: NTS
 Drg. No. 2435W40001

DRAWN M MATHER	CHECKED RDW	APPROVED RD.WATSON	DATE 19/03/07	IE	OPS	PCP	Purch.Spec. TQ	EAC	CE	STD	A3
----------------	-------------	--------------------	---------------	----	-----	-----	----------------	-----	----	-----	----

Copyright © 2007 Siemens Protection Devices Ltd. Hebburn

2 RDW	18/07/07	MN435/2886 RDW
1	14/02/07	CHANGE
ISSUE	DATE	NOTED